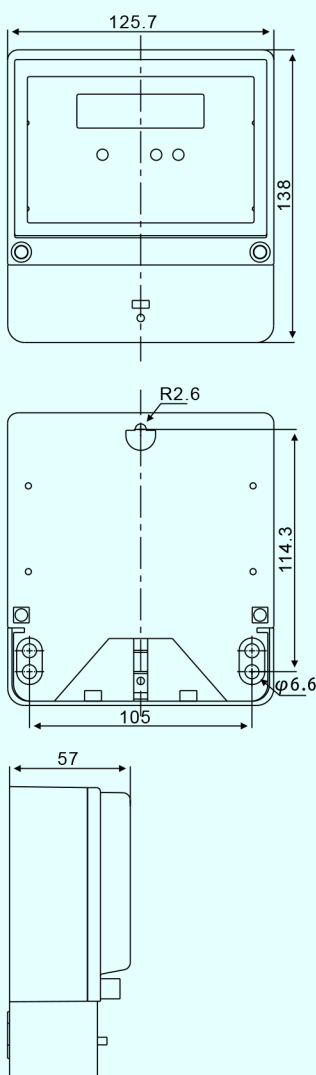




◆ Overall and installation dimensions

Weight: about 0.5kg



◆ Product Overview

This Single phase electronic energy meter adopts advanced microelectronic technique and SMT manufacturing technology. It is used for measuring single phase AC active electronic energy whose rated frequency is 60Hz. This meter adopts LCD display and it is an ideal metering device for inhabitant power utilization charging. Besides, it also owns many advantages such as high metering precision, high sensitivity, reliable performance, wide loading, low power consumption, small volume, light weight, simply operating and easy for installation etc. It is complying with the standard of IEC 62053-21, IEC62052-11.

◆ Features

- Low power consumption;
- Low starting power;
- Anti tamper design which makes smaller anti tamper, measure positive energy when it reverses;
- There are power, pulse, reverse indicator LED;
- Use 6+2 big LCD display which is easy to read, with smaller reading error. LCD display picture 2 as below.

◆ The main technical parameters

Accuracy class	class 1.0、class2.0
voltage	120V、240V
Current	5(30)A、5(60)A
Constant	3200imp/kWh
Rated Frequency	60Hz